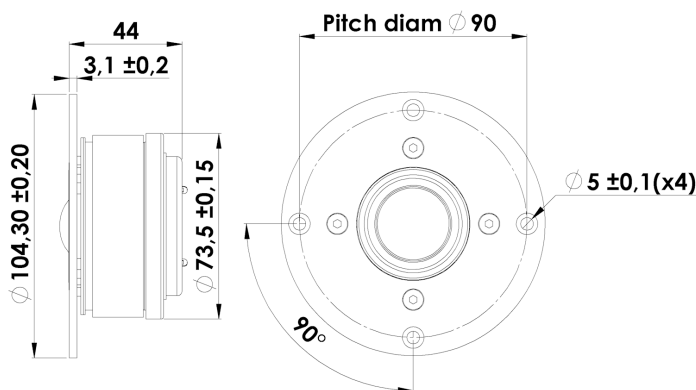


28 mm Dome Tweeter

D2905/930000



T-S Parameters:

Resonance frequency [fs]	650 Hz
Mechanical Q factor [Qms]	0.94
Electrical Q factor [Qes]	0.72
Total Q factor [Qts]	0.41
Force factor [Bl]	3.5 Tm
Mechanical resistance [Rms]	1.96 kg/s
Moving mass [Mms]	0.45 g
Compliance [Cms]	0.13 mm/N
Effective diaph. diameter [D]	33 mm
Effective piston area [Sd]	8.5 cm ²
Equivalent volume [Vas]	0.01 l
Sensitivity (2,83V/1m)	90 dB

Mechanical Data:

Voice coil diameter	28 mm
Voice coil height	3.3 mm
Voice coil layers	2
Gap height	2.5 mm
Linear excursion	± 0.4 mm
Max mech. excursion	± 1.5 mm
Unit weight	0.7 kg
Cabinet Displacement Volume	0.15 l

Electrical Data:

Nominal impedance [Zn]	6 Ω
Minimum impedance [Zmin]	5.4 Ω
Maximum impedance [Zo]	10.9 Ω
DC resistance [Re]	4.7 Ω
Voice coil inductance [Le]	0.07 mH

Power Handling:

100h RMS noise test (IEC 18.4)	150 W
Long-term max power (IEC 18.2)	460 W
X-over: 2. order HP Butterworth, 2.5 kHz	

Key Features:

- 1" Textile Dome Diaphragm
- Ferro Fluid
- Low Resonance Rear Chamber
- Black Painted Alu Face Plate

Recommendations (please see Tech Note):

- Operating frequency range: 2500-30000 Hz
- Cabinet volume - closed box: N.a.
- Cabinet volume - vented box: N.a.

