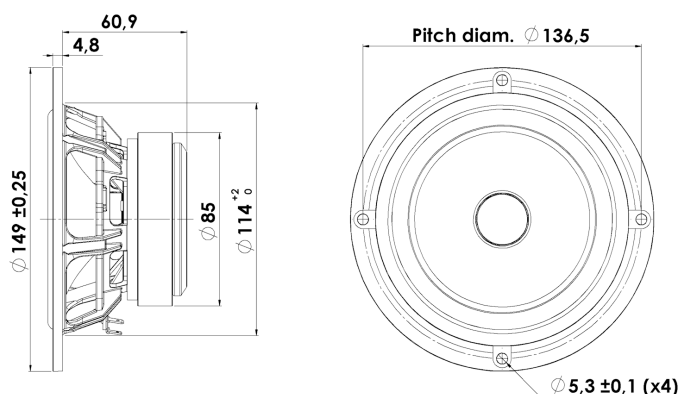


15 cm Midrange

15M/4624G00



T-S Parameters:

Resonance frequency [fs]	100 Hz
Mechanical Q factor [Qms]	5.62
Electrical Q factor [Qes]	0.47
Total Q factor [Qts]	0.43
Force factor [Bl]	5.3 Tm
Mechanical resistance [Rms]	0.69 kg/s
Moving mass [Mms]	6.2 g
Compliance [Cms]	0.41 mm/N
Effective diaph. diameter [D]	101 mm
Effective piston area [Sd]	75 cm ²
Equivalent volume [Vas]	3.7 l
Sensitivity (2,83V/1m)	92.5 dB

Mechanical Data:

Voice coil diameter	25 mm
Voice coil height	8 mm
Voice coil layers	2
Gap height	5 mm
Linear excursion	± 1.5 mm
Max mech. excursion	± 8 mm
Unit weight	1 kg
Cabinet Displacement Volume	0.21 l

Electrical Data:

Nominal impedance [Zn]	4 Ω
Minimum impedance [Zmin]	4.1 Ω
Maximum impedance [Zo]	41.5 Ω
DC resistance [Re]	3.2 Ω
Voice coil inductance [Le]	0.23 mH

Power Handling:

100h RMS noise test (IEC 18.4)	75 W
Long-term max power (IEC 18.2)	180 W
X-over: 2. order HP Butterworth, 200 Hz	

Key Features:

- High Output 92,5dB @ 2,83V
- Phase Plug for Improved Phase Linearity
- Coated NRSC Fibre Glass Cone
- Very Low Damping Foam Surround (Coated)
- Die cast Alu Chassis vented below spider
- Magnet System w. Alu Ring

Recommendations (please see Tech Note):

- Operating frequency range: 150-10000 Hz
- Cabinet volume - closed box: Vbox=3 ltr, f(-3dB)=150 Hz
- Cabinet volume - vented box: Vbox=6 ltr, fb=84 Hz, f(-3dB)=80 Hz

