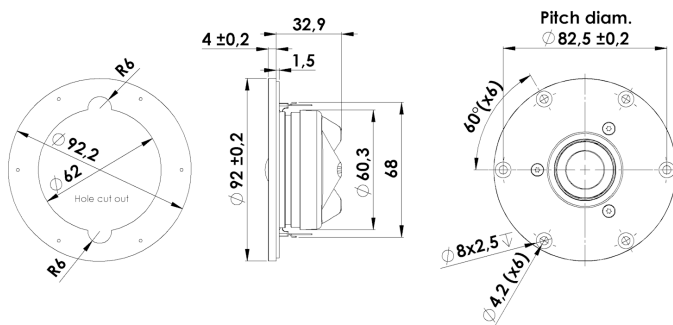


19 mm Dome Tweeter

D2104/712000



T-S Parameters:

Resonance frequency [fs]	500 Hz
Mechanical Q factor [Qms]	2.3
Electrical Q factor [Qes]	0.48
Total Q factor [Qts]	0.40
Force factor [Bl]	2.0 Tm
Mechanical resistance [Rms]	0.3 kg/s
Moving mass [Mms]	0.22 g
Compliance [Cms]	0.46 mm/N
Effective diaph. diameter [D]	24 mm
Effective piston area [Sd]	4.5 cm ²
Equivalent volume [Vas]	0.01 l
Sensitivity (2,83V/1m)	92 dB

Mechanical Data:

Voice coil diameter	19.3 mm
Voice coil height	1.8 mm
Voice coil layers	2
Gap height	4 mm
Linear excursion	± 0.5 mm
Max mech. excursion	± 1.5 mm
Unit weight	0.33 kg
Cabinet Displacement Volume	- l

Electrical Data:

Nominal impedance [Zn]	4 Ω
Minimum impedance [Zmin]	3.5 Ω
Maximum impedance [Zo]	11.3 Ω
DC resistance [Re]	2.8 Ω
Voice coil inductance [Le]	0.02 mH

Power Handling:

100h RMS noise test (IEC 18.4)	50 W
Long-term max power (IEC 18.2)	120 W
X-over: 2. order HP Butterworth, 4 kHz	

Key Features:

- Patented Symmetrical Drive (SD-2) motor
- Neodymium ring magnet system with double vent.
- High frequency extension beyond 40kHz
- Coated textile diaphragm w. large roll Surround
- Back chamber with high consistency felt pads
- Anodized Machined Alu Face Plate

Recommendations (please see Tech Note):

- Operating frequency range: 3500-30000 Hz
- Cabinet volume - closed box: N.a.
- Cabinet volume - vented box: N.a.

